

Tanaka Illustrated Parts Manual

Model Number:

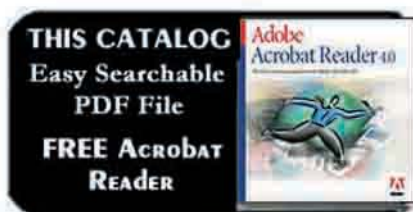
TBC-245PF

GRASS TRIMMER

P/N 39762

Rev 000

Date 8-31-06



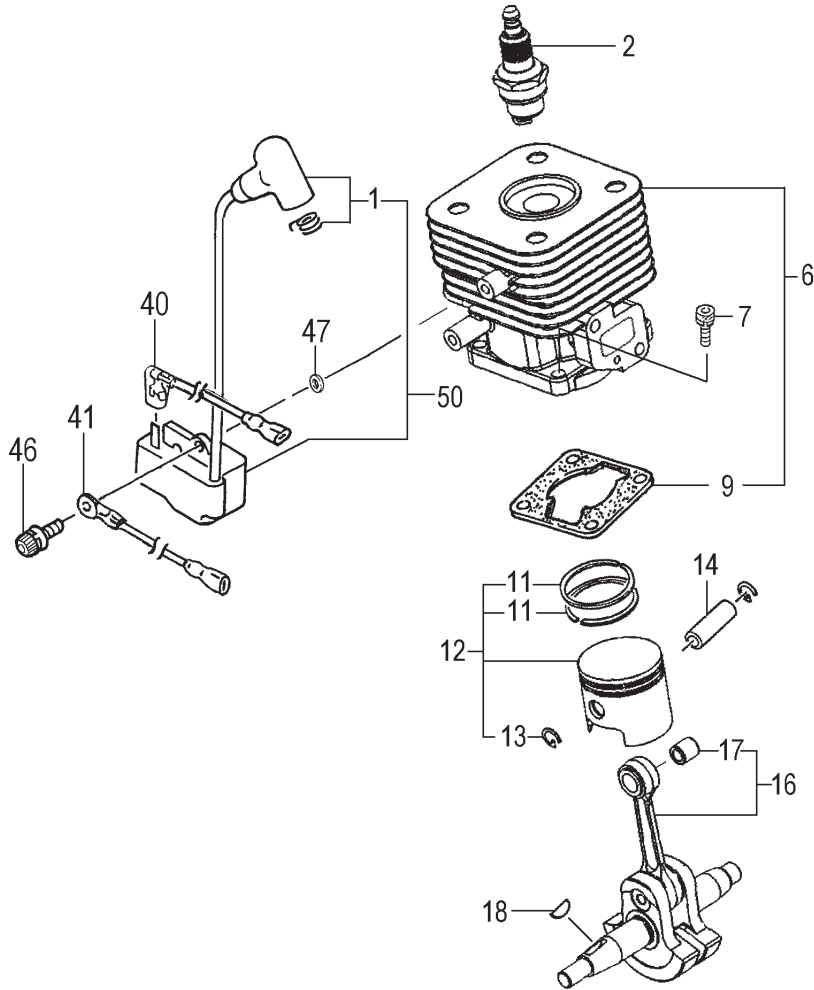
Supplier To The Outdoor Power Equipment Industry

Tanaka America • 1028 4th Street SW • Auburn, WA 98001 • Phone: (253) 333-1200 • Fax: (253) 333-1212

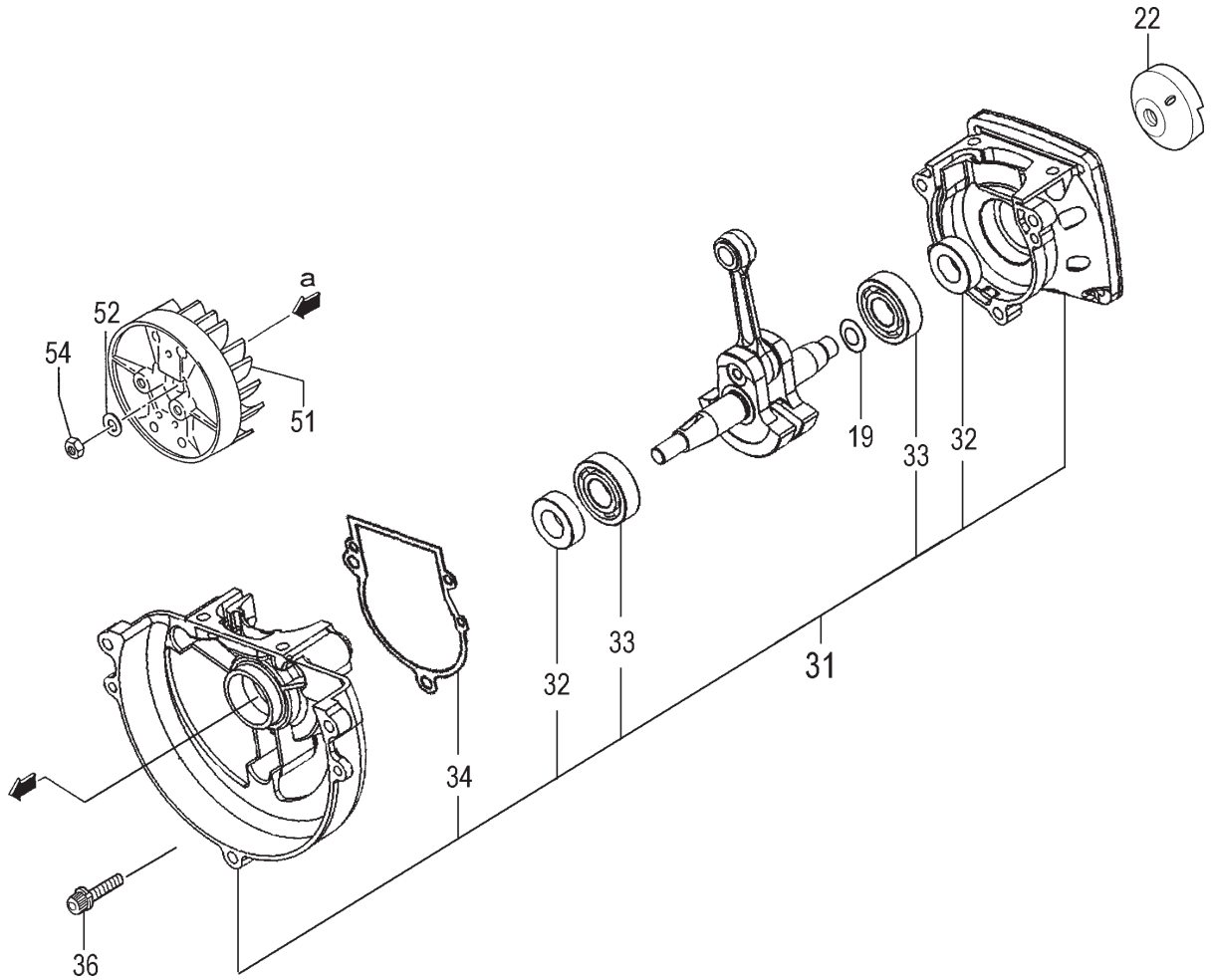
www.tanaka-usa.com

custsvc@tanaka-usa.com

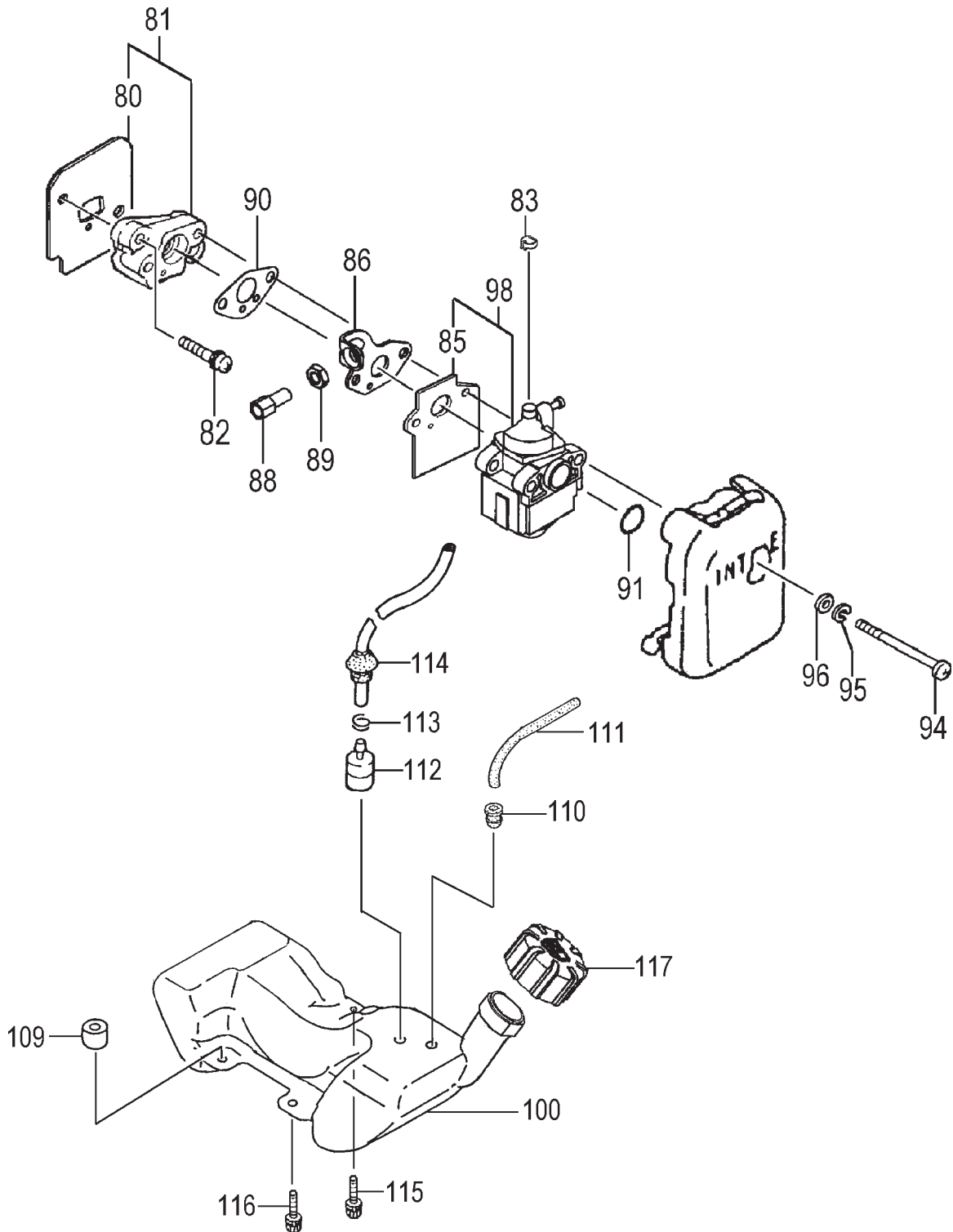
CYLINDER, PISTON, CRANKSHAFT, IGNITION • FIGURE 1



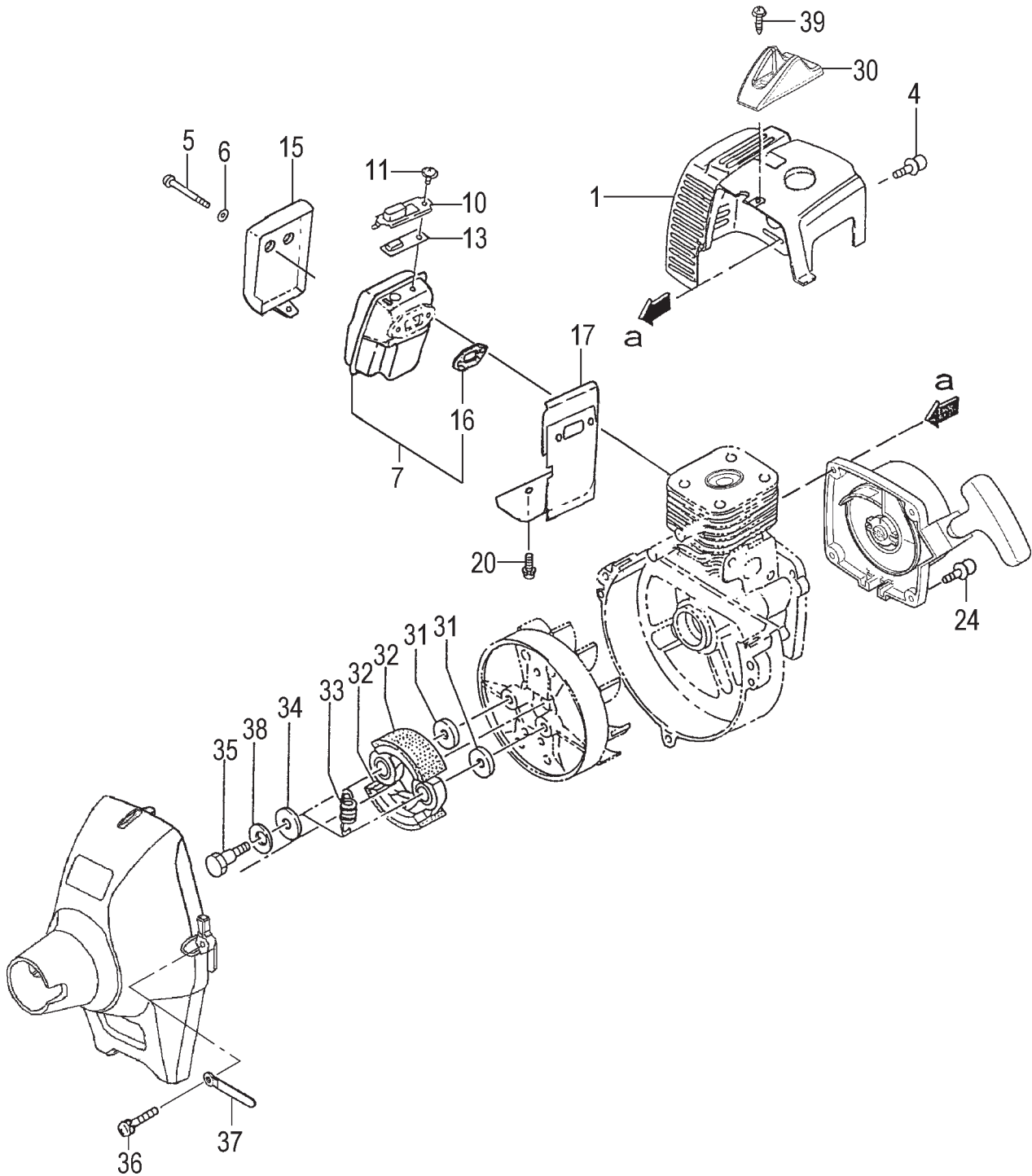
ITEM	PART NUMBER	DESCRIPTION	QTY	COMMENTS
1-1	1570168090	CAP, SPARK PLUG ASS'Y	1	
1-2	0181161021	PLUG, SPARK	1	
1-6	0010304590	CYLINDER, SET	1	Includes gasket
1-7	99461050184	BOLT, HEX, 5X18, S	4	
1-9	0170300221	GASKET, CYLINDER	1	
1-11	04101601200	RING, PISTON	2	
1-12	0300704590	PISTON SET	1	Includes rings and circlips
1-13	03901620200	CIRCLIP, PISTON PIN	2	
1-14	0370704520	PIN, PISTON	1	
1-16	0460307080	CRANKSHAFT	1	
1-17	99962081225	BEARING, NEEDLE, F-810	1	
1-18	06810100200	KEY, WOODRUFF, 3X13X4.5	1	
1-40	1780168080	CORD, STOP	1	
1-41	2740168080	CORD, EARTH	1	
1-46	99464040184	BOLT, HEX, 4X18WS	2	
1-47	1820186A201	WASHER, SPECIAL	2	
1-50	1672101290	COIL, IGNITION	1	



ITEM	PART NUMBER	DESCRIPTION	QTY	COMMENTS
2-19	33000200210	SHIM,12.2X19X.10	1	
2-19	33000200220	SHIM,12.2X19X.15	1	
2-19	33000200230	SHIM,12.2X19X.20	1	
2-19	33000200240	SHIM,12.2X19X.30	1	
2-22	7980304520	PULLEY,STARTER	1	
2-31	0720304590	CRANKCASE ASS'Y	1	Includes gasket, seals and bearings
2-32	99966122240	SEAL,OIL,#12227	2	
2-33	99961600115	BEARING,BALL,6001 C3	2	
2-34	0900304520	GASKET,CRANKCASE	1	
2-36	99461050164	BOLT,HEX,5X16,S	3	
2-51	1552101280	FLYWHEEL	1	
2-52	99201070011	WASHER,7	1	
2-54	06600000200	NUT,FLYWHEEL	1	

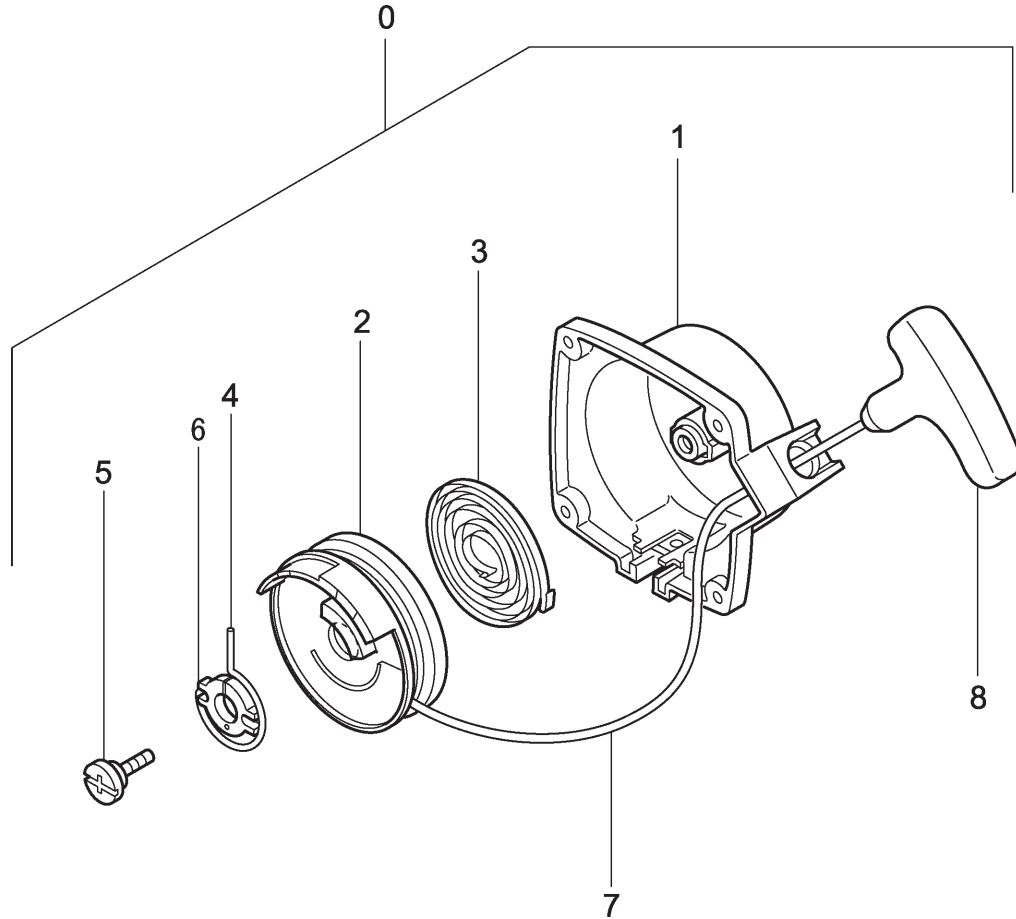


ITEM	PART NUMBER	DESCRIPTION	QTY	COMMENTS
3-80	4030702021	GASKET,INLET MANIFOLD	1	Includes gasket
3-81	4040702091	INSULATOR SET	1	
3-82	99416050241	SCREW 5x24WS	2	
3-83	5600712020	SWIVEL CAP	1	
3-85	4020656A200	GASKET	1	
3-86	8780662020	PLATE,THROTTLE WIRE	1	
3-88	61425137200	ADJUSTER,CABLE	1	
3-89	99101060013	NUT,6	1	
3-90	4020602K21	GASKET,CARBURETOR	1	
3-91	99967015000	O-RING,P15	1	
3-94	99011050602	SCREW,5X60	2	
3-95	99210050012	WASHER,S,5	2	
3-96	99201050011	WASHER,5	2	Includes gasket
3-98	4550307090	CARBURETOR SET	1	
3-100	5910304520	TANK,FUEL	1	
3-109	65900801200	COLLAR	3	
3-110	53432710200	GROMMET,FUEL PIPE	1	
3-111	70003005065	PIPE,FUEL,3X5X65	1	
3-112	6750404280	FILTER,FUEL	1	
3-113	68000731201	CLIP 6.3	1	
3-114	2230162V900	PIPE,FUEL,ASS'Y	1	
3-115	99463050205	BOLT,HEX,5X20PS	1	
3-116	99463050204	BOLT, HEX 5X20	2	
3-117	5950300290	CAP,TANK (BLACK/RED)	1	

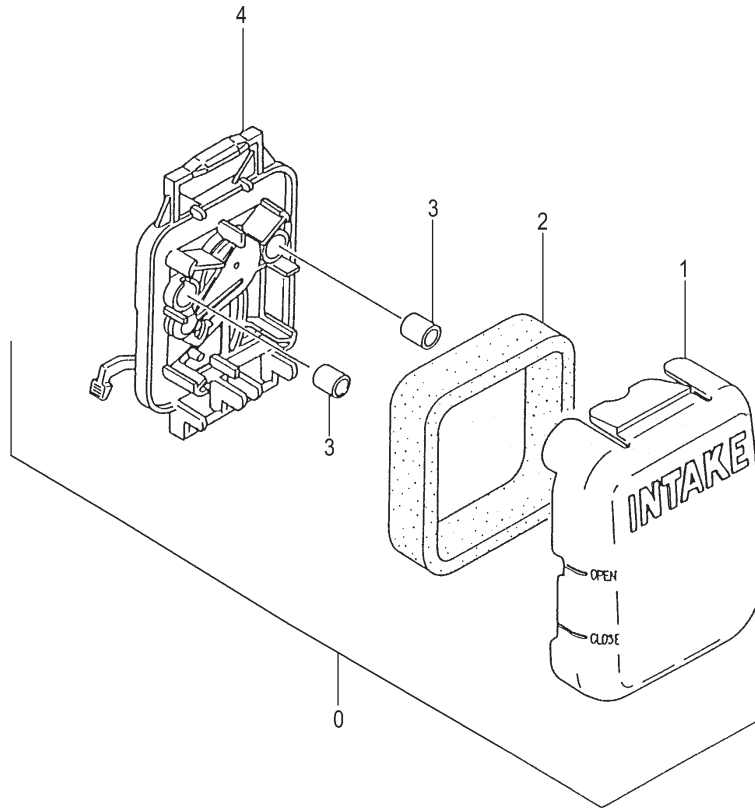


MUFFLER, CLUTCH & COVER • FIGURE 4

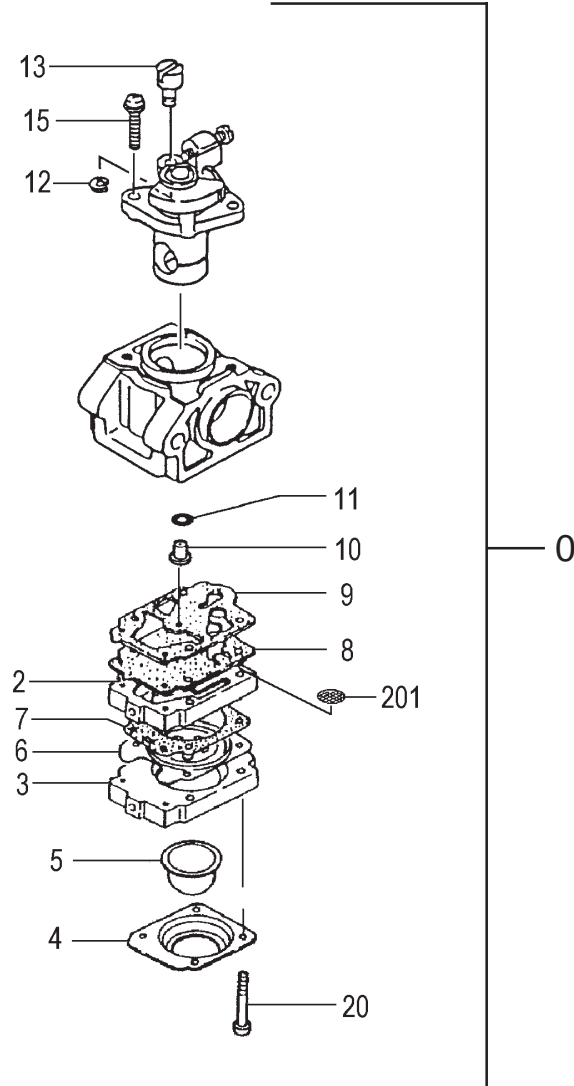
ITEM	PART NUMBER	DESCRIPTION	QTY	COMMENTS
4-1	7380304620	PROTECTOR,MUFFLER	1	
4-4	99415040182	SCREW,PS,4X18	2	
4-5	99053060553	SCREW,HEX.HOLE	2	
4-6	99201060011	WASHER,6	2	
4-7	7040304590	MUFFLER SET	1	
4-10	7210440020	PIPE,TAIL	1	
4-11	99436040081	SCREW,4X18WS	1	
4-13	7320440020	ARRESTER,SPARK	1	
4-15	7360304580	COVER,MUFFLER B	1	
4-16	7370168020	GASKET,MUFFLER	1	
4-17	7350304580	SHIELD,HEAT	1	
4-20	99415050101	SCREW,5X10/PS	2	
4-24	99415040182	SCREW,PS,4X18	2	
4-30	2570304520	PROTECTOR,SPARK PLUG	1	
4-31	35902103200	WASHER,CLUTCH,B	2	
4-32	29001620800	SHOE,CLUTCH	2	
4-33	3420630B200	SPRING,CLUTCH	1	
4-34	3480602R200	WASHER,CLUTCH A	2	
4-35	3570075T200	BOLT,STEP	2	
4-36	99415050202	SCREW,5X20/PS	3	
4-37	19805015800	CLAMP,CORD	1	
4-38	99205080030	WASHER,8	2	
4-39	99072045164	SCREW,TAPPING,4.5X16	1	



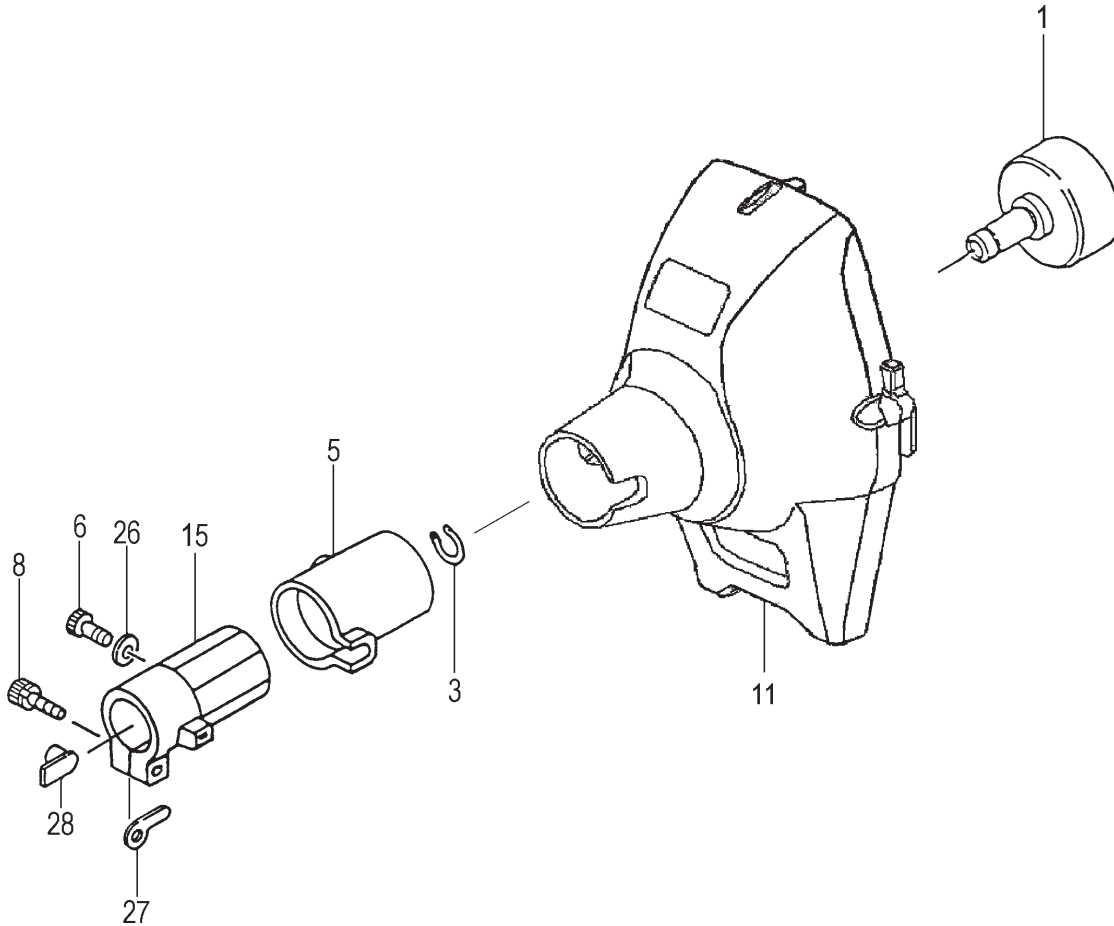
ITEM	PART NUMBER	DESCRIPTION	QTY	COMMENTS
5-0	7620304590	STARTER ASS'Y	1	
5-1	7720304580	BODY,STARTER	1	
5-2	7740304520	PULLEY,STARTER	1	
5-3	7790304520	SPRING,RECOIL	1	
5-4	7770304520	ARM,SWING	1	
5-5	8390304520	SCREW,SET	1	
5-6	7710304520	STAY,PULLEY	1	
5-7	7830304520	ROPE,STARTER	1	
5-8	7850304520	HANDLE,STARTER	1	



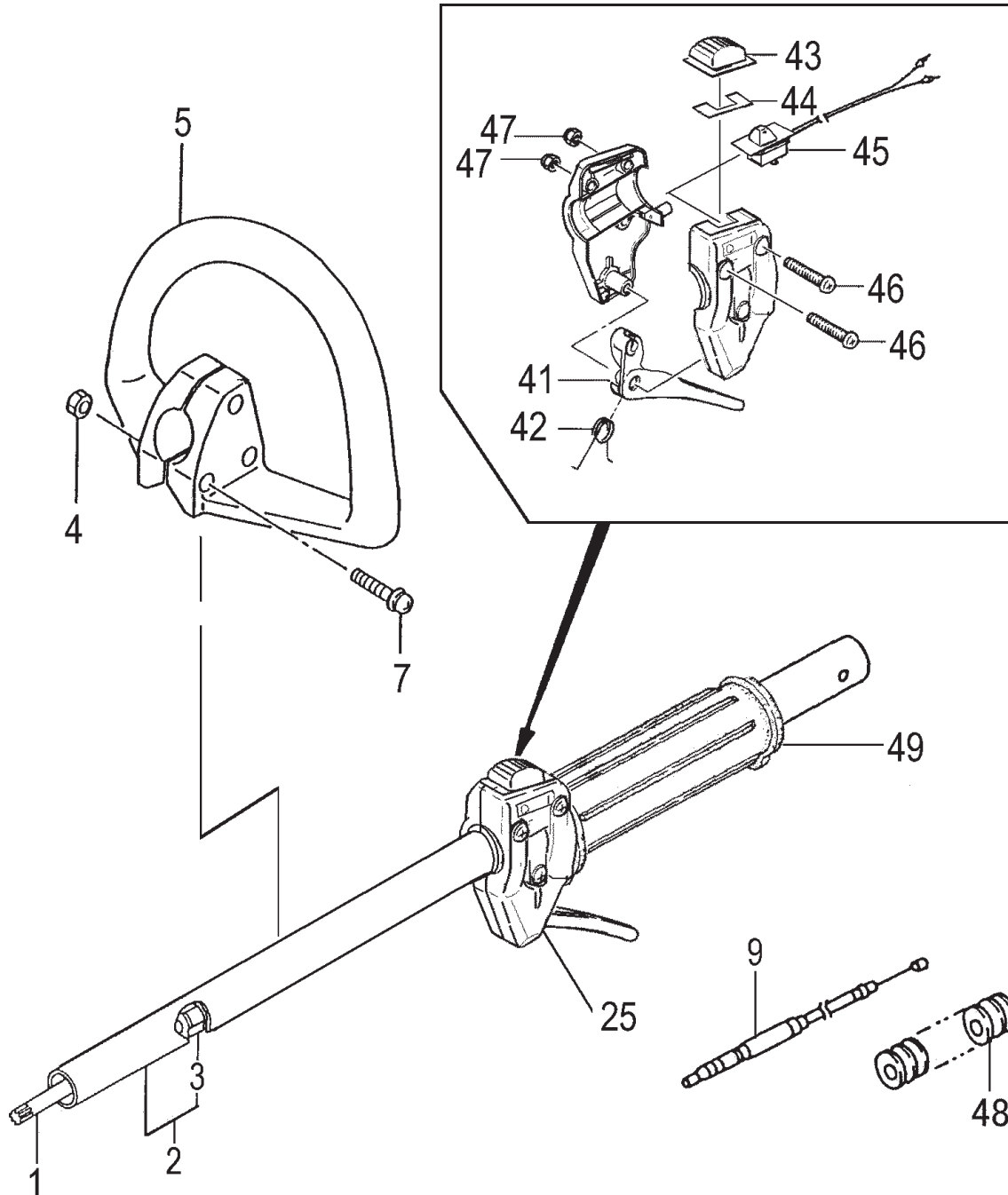
ITEM	PART NUMBER	DESCRIPTION	QTY	COMMENTS
6-0	41000025900	CLEANER,AIR ASS'Y	1	
6-1	42400025200	CAP,AIR CLEANER	1	
6-2	44600025200	ELEMENT,CLEANER	1	
6-3	47000025200	COLLAR	2	
6-4	42300025800	BODY,CLEANER,AIR	1	



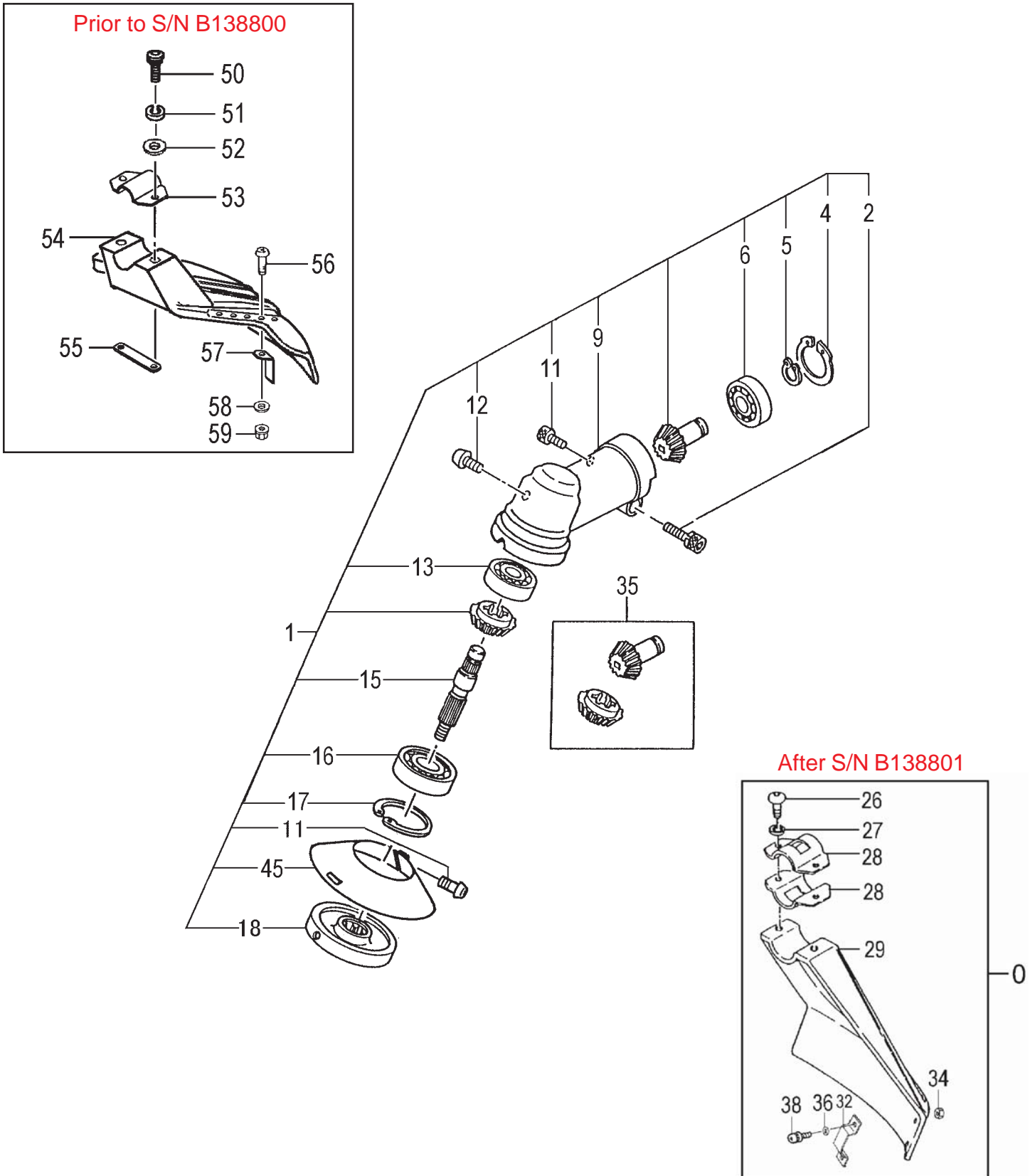
ITEM	PART NUMBER	DESCRIPTION	QTY	COMMENTS
7-0	4550307090	CARBURETOR SET	1	Includes gasket
7-2	5752515380	BODY,PUMP	1	
7-3	4422515180	PUMP,PRIMING	1	
7-4	4762515120	COVER,DIAPHRAGM	1	
7-5	44725108200	BULB,PRIMING	1	
7-6	~ ~ ~	METERING DIAPHRAGM	1	~ Contained in Carb Repair Kit
7-7	~ ~ ~	GASKET,DIAPHRAGM	1	P/N 650-25140-900
7-8	~ ~ ~	DIAPHRAGM,PUMP	1	(not available individually)
7-9	~ ~ ~	GASKET,PUMP	1	
7-10	599200BW33	MAIN JET,#33.5	1	
7-11	55025100200	O-RING	1	
7-12	48925100200	RING,STOP	1	
7-13	53925120200	SWIVEL	1	
7-15	54825140200	SCREW,THROTTLE SET	2	
7-20	5482515120	SCREW,SET	4	
7-201	57825007200	SCREEN,INLET	1	



ITEM	PART NUMBER	DESCRIPTION	QTY	COMMENTS
8-1	2890307080	DRUM,CLUTCH	1	
8-3	99350012002	RING,STOP,C-12 EX	1	
8-5	5990098021	CUSHION,RUBBER	1	
8-6	99051050163	BOLT,HEX,5X16	1	
8-8	99461050254	BOLT,HEX HOLE,5X25S	1	
8-11	1120304580	CASE,FAN	1	Includes bearing
8-15	3600099620	PIPE HOLDER	1	
8-26	99201050061	WASHER,5	1	
8-27	3243735020	WASHER,GEAR CASE	1	
8-28	3600099020	HOLDER,PIPE	1	

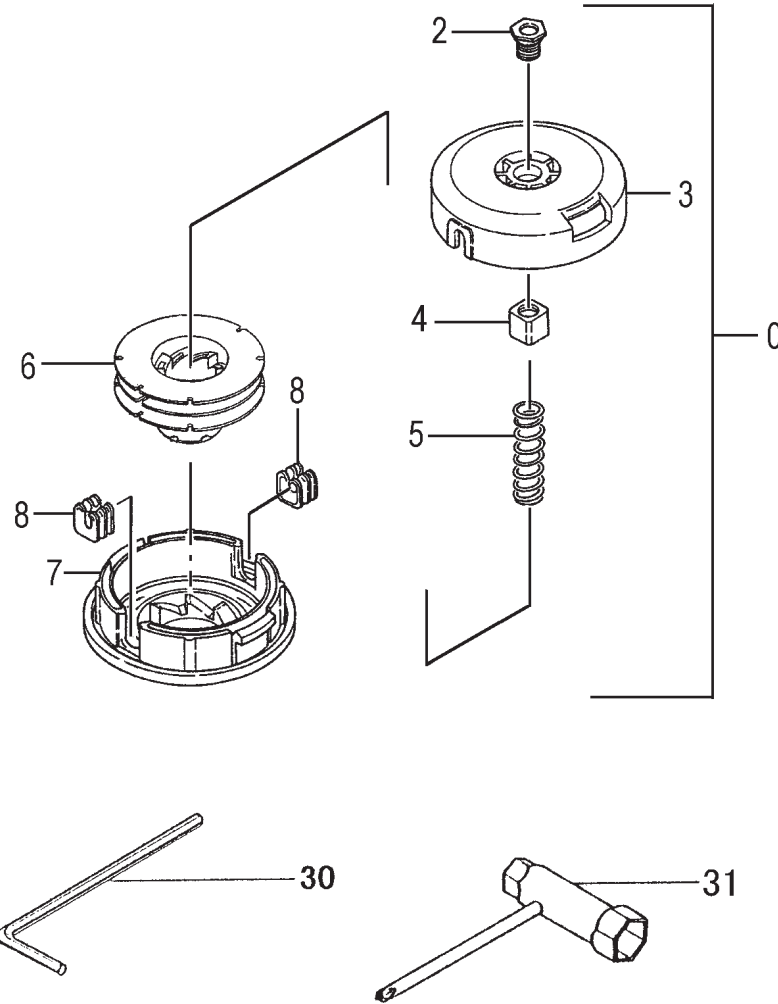


ITEM	PART NUMBER	DESCRIPTION	QTY	COMMENTS
9-1	3433836020	SHAFT,DRIVE	1	
9-2	3413836081	PIPE,DRIVE SHAFT	1	
9-3	3473836090	BUSHING	5	
9-4	99101050041	NUT,5	3	
9-5	5003845120	HANDLE,FRONT	1	
9-7	99416050302	SCREW,5x30,WS	3	
9-9	8853823080	WIRE,THROTTLE	1	
9-25	8703845190	LEVER,THROTTLE ASSY	1	
9-41	8803845120	LEVER,THROTTLE	1	
9-42	8323845120	SPRING,RETURN	1	
9-43	1623845120	BUTTON,STOP	1	
9-44	9253845120	DECAL,STOP SWITCH	1	
9-45	1563845180	SWITCH,STOP	1	
9-46	99011050301	SCREW,5X30	3	
9-47	99101050011	NUT,5	3	
9-48	1640701701	TUBE,PROTECTION,7x170	1	
9-49	5093845320	GRIP,SHAFT	1	



GEAR CASE & SAFETY GUARD • FIGURE 10

ITEM	PART NUMBER	DESCRIPTION	QTY	COMMENTS
10-0	4413782090	SAFETY GUARD KIT	1	After S/N B138801
10-1	3003845190	CASE,GEAR ASSY	1	
10-2	99461050254	BOLT,HEX HOLE,5X25S	1	
10-4	99351024002	RING,STOP,C-24,IN	1	
10-5	99350009002	RING,STOP,C9	1	
10-6	99961609002	BEARING,BALL,#609Z	1	
10-9	3003836021	CASE,GEAR	1	
10-11	99416050121	SCREW,5X12/PS	2	
10-12	3163815020	BOLT,FITTING,M8	1	
10-13	99961626000	BEARING,BALL,#626	1	
10-15	3043845120	SHAFT,GEAR	1	
10-16	99961600003	BEARING,BALL,#6000D	1	
10-17	99351026002	RING,STOP,IN,C-26	1	
10-18	3103836020	HOLDER,CUTTER	1	
10-26	99053060203	BOLT,HEX,6X20	2	Prior to S/N B138800
10-27	99210060062	WASHER,S,6	2	Prior to S/N B138800
10-28	4423741720	BRACKET,SAFETY GUARD	2	Prior to S/N B138800
10-29	4413782080	GUARD,SAFETY	1	Prior to S/N B138800
10-32	7973782020	KNIFE	1	Prior to S/N B138800
10-34	99101040011	NUT 4	2	Prior to S/N B138800
10-35	3013836000	SET,GEAR & PINION	1	
10-36	99201040011	WASHER 4	2	Prior to S/N B138800
10-38	99414040121	SCREW,4X12S	2	Prior to S/N B138800
10-45	3033836020	COVER,GEAR CASE	1	
10-50	99053060303	SCREW,6X30	2	After S/N B138801
10-51	99210060062	WASHER,S,6	2	After S/N B138801
10-52	99201060061	WASHER,6	2	After S/N B138801
10-53	4423845120	BRACKET,GUARD	1	After S/N B138801
10-54	4413845120	SAFETY GUARD	1	After S/N B138801
10-55	4453825320	GUARD HOLDER	1	After S/N B138801
10-56	99011050151	SCREW,5X15	1	After S/N B138801
10-57	7973782020	BLADE	1	After S/N B138801
10-58	99201050011	WASHER,5	1	After S/N B138801
10-59	99174050010	NUT-U,5	1	After S/N B138801



ITEM	PART NUMBER	DESCRIPTION	QTY	COMMENTS
11-0	746451	HEAD,SEMI-AUTO,5"	1	
11-2	3563383E20	ADAPTER,746451,8x1.25 LHF	1	
11-3	7863383020	BODY,CUTTING	1	
11-4	3153383020	NUT,SPECIAL	1	
11-5	7933383020	SPRING,REEL	1	
11-6	7873383020	REEL	1	
11-7	7893383020	CAP,BODY	1	
11-8	7883383020	EYELET	2	
11-30	8132901460	WRENCH,HEX 14	1	
11-31	829290052H	SPANNER,COMBI 13x19	1	



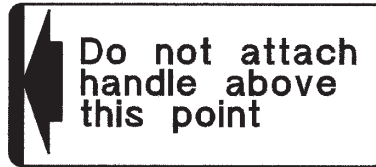
1



2



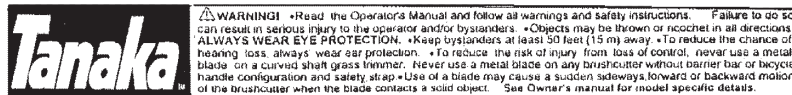
26



4



7

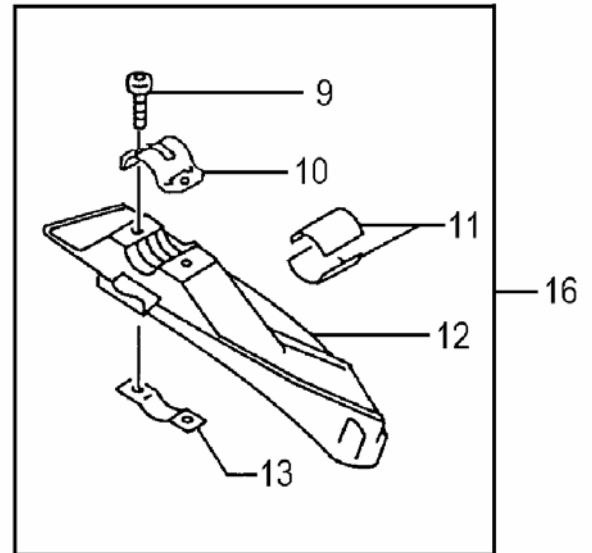
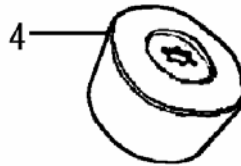
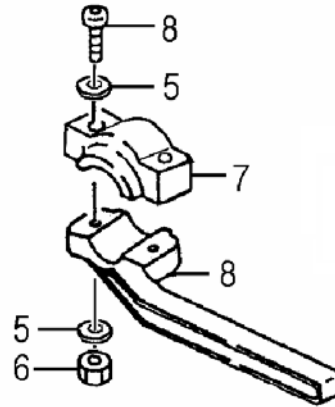


10

ITEM	PART NUMBER	DESCRIPTION	QTY	COMMENTS
12-1	9060307020	DECAL	1	
12-2	9064823020	DECAL,TBC-245PF	1	
12-4	9233738F20	DECAL,LEVEL	1	
12-7	9293810020	DECAL,SYMBOL,PF	1	
12-10	9193782020	DECAL,CAUTION A	1	
12-26	9233844720	DECAL,LEVEL	1	



Single Shoulder Strap
Model#: 746191



WARNING! Read the owners manual and follow all warnings and safety instructions. Failure to do so can result in serious injury to the operator and/or bystanders. Never attempt to mount a steel blade to a machine that is not specifically designed for that purpose. Never attempt to mount a steel blade without using all components of the blade attachment kit, including shoulder strap and barrier safety bar.

ITEM	PART NUMBER	DESCRIPTION	QTY	COMMENTS	
4	3113844020	CAP,CUTTER HOLDER	1	Kit used on TBC-225, 230, 245PF, 2500	
5	99201060061	WASHER,6	4		
6	99101060041	NUT,6	2		
7	5063730020	BRACKET,HANDLE,A	1		
8	5203727720	BARRIER BAR 24MM	1		
9	99053060403	BOLT,HEX,6X40	2		
10	4423369921	BRACKET,SAFETY GUARD	1		
11	44437609200	SPACER,BRACKET	2		
12	4413738020	GUARD,SAFETY	1		
13	4453738020	HOLDER,GUARD	1		
14	3133754720	NUT,FIXING L.H. 8X1.25	1		
15	3273718090	PIN,COTTER 2X20 (10 PACK)	1		
16	30060	KIT,BLADE GUARD	1		
18	746191	STRAP,SHOULDER,PSS-175	1		
					Includes mounting bracket/hardware